

Technical information Porter Euro 6 - Tipper

ENGINE	MultiTech	EcoPower	GreenPower
Engine	4 cylinders, 1.299 cc Multipoint indirect injection - Euro 6		
Fuel	Petrol	petrol + LPG	petrol + CNG
Power*	61 kW @ 6.000 rpm	60 kW @ 6.000 rpm	54 kW @ 6.000 rpm
Torque*	112 Nm @ 4.300 rpm	108 Nm @ 4.300 rpm	97 Nm @ 4.300 rpm
Max Speed*	130 km/h		
Fuel consumption (combined)*	6,5l x 100km	8,6l x 100km	7,0nm ³ x 100km
CO2 emission*	150	139	125
Total tank capacity*	40l	40l petrol + 30l lpg	40l petrol + 55kg methane

**referred to the Porter Deck version*

RANGE	PORTER		MAXXI (short deck)			MAXXI (long deck)		
	MultiTech	Ecopower	MultiTech**	EcoPower	GreenPower	MultiTech**	EcoPower	GreenPower
Length x Width x Height	3.565x1.460x1.835 mm		3.830x1.560x1.815 mm			4.360x1.560x1.815 mm		
Wheelbase	1.830 mm		2.180 mm			2.180 mm		
Max. load bed space	1.405x1.940 mm		1.505x2.345 mm			1.505x2.775 mm		
Side height	400 mm		350 mm			350 mm		
Gross Vehicle Weight	1.700kg*		2.200kg			2.200kg		
Payload	790 kg	740 kg	1.060 kg	1.000 kg	940 kg	1.040 kg	990 kg	935 kg

** available also in 1.5 GTW version (200kg less payload)*

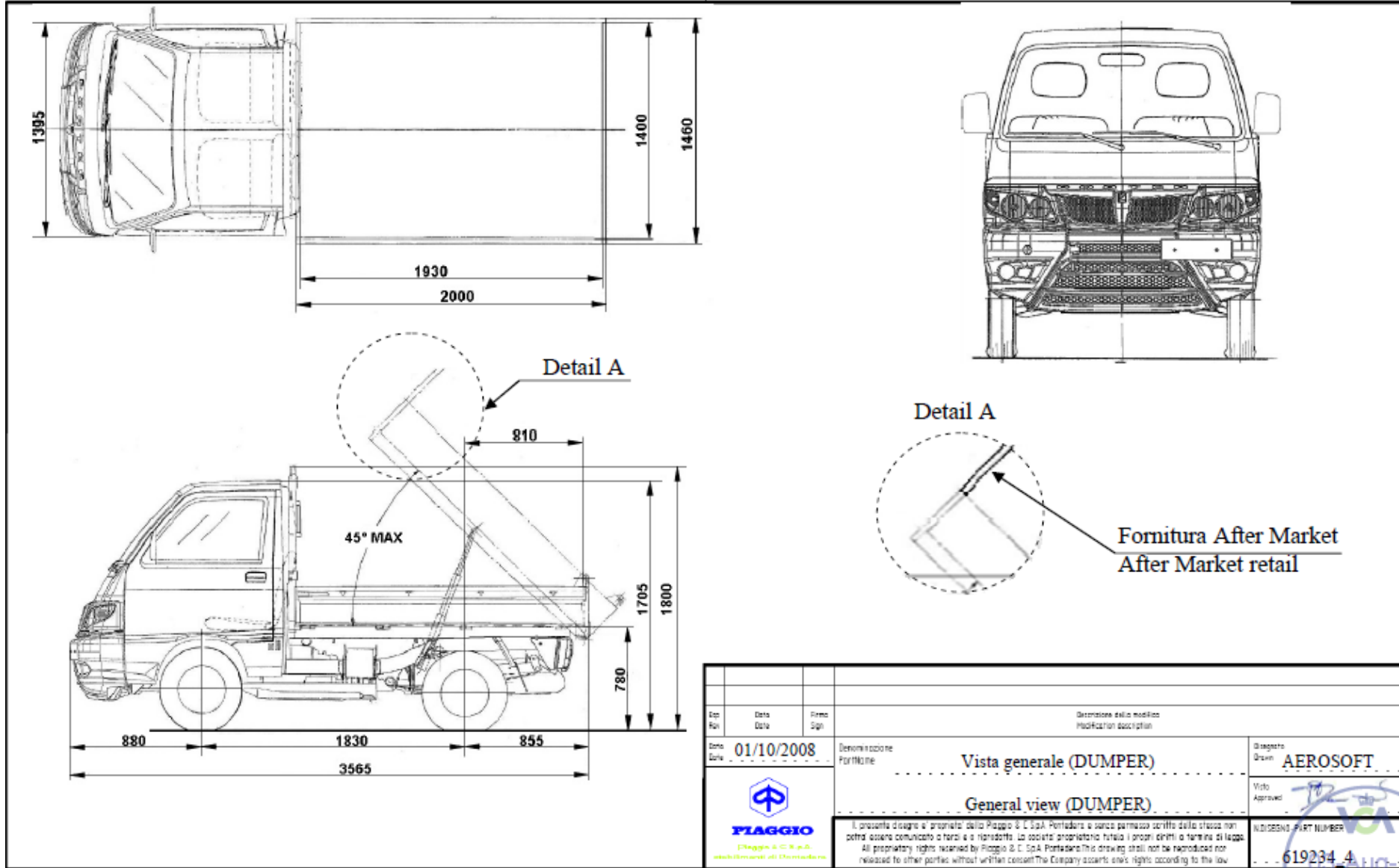
*** available also in HS version*

Porter - Tipper



PIAGGIO
COMMERCIAL
VEHICLES

N1 Homologation Class



Rev	Date	Firma	Descrizione della modifica Modification description	
01	01/10/2008		Denominazione PortName	Disegnato AEROSOFT
			Vista generale (DUMPER)	Visto Approved
			General view (DUMPER)	
<small>Il presente disegno è proprietà della Piaggio & C. S.p.A. Portatore e senza permesso scritto dello stesso non potrà essere comunicato a terzi e/o riprodotto. Lo stesso proprietario tutela i propri diritti a termine di legge. All proprietary rights reserved by Piaggio & C. S.p.A. Portatore. This drawing shall not be reproduced nor released to other parties without written consent. The Company asserts one's rights according to the law.</small>			<small>NUMERO PART NUMBER</small> 619234_4	

Porter Maxxi – Tipper Short/Long deck

N1 Homologation Class

