

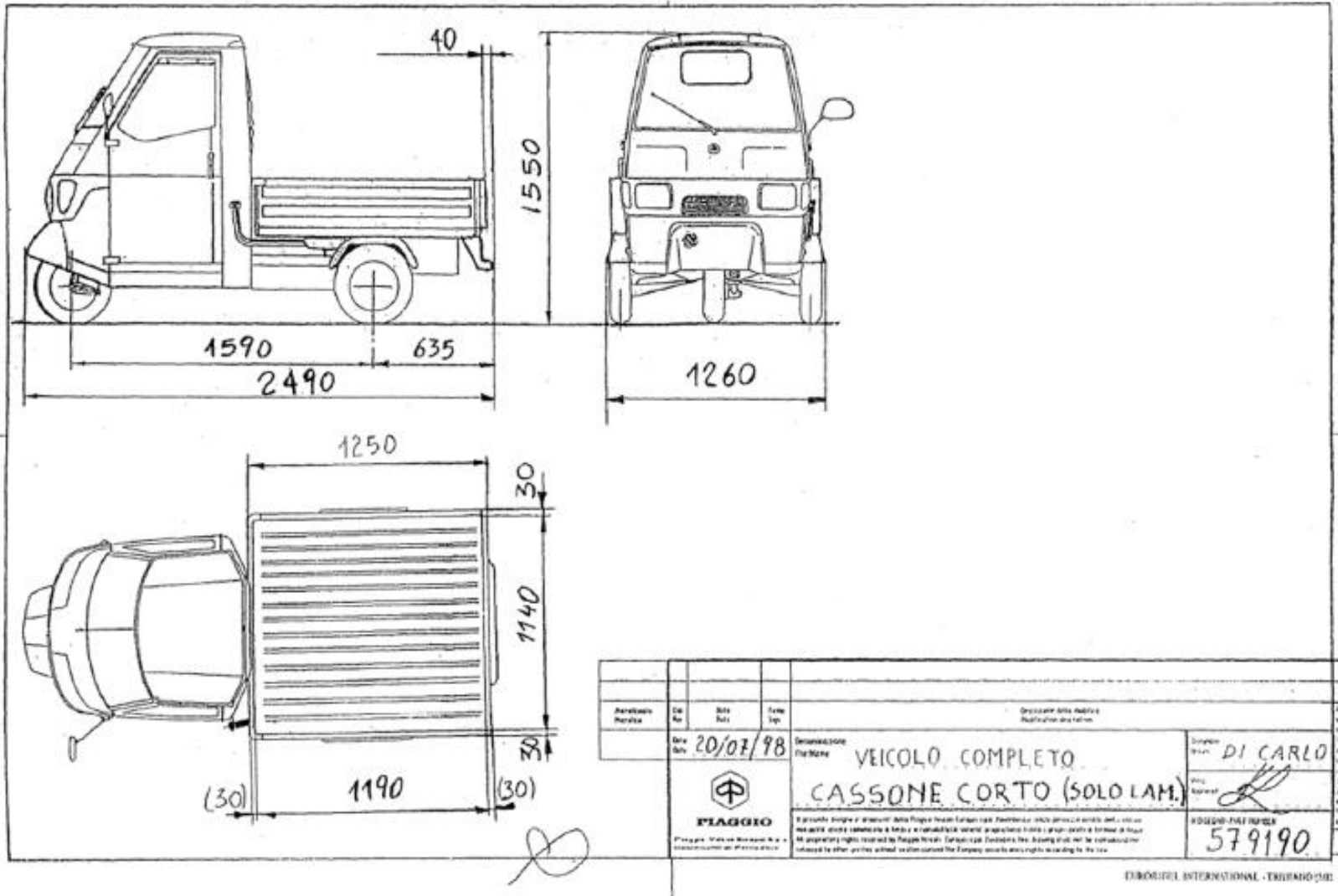
Technical Informations Ape 50

	Long Deck	Short Deck	Cross	Van
Engine	50 cc 2 stroke with automatic mixel (petrol/oil), air cooling, rear traction			
Max Power	1.8 kW a 5.500 rpm			
Max Torque	Coppia max 3,3 Nm a 4.250			
Max Speed	38 km/h			
Tyres	100/90-10 61J			
Total kerb weight (kg)	510			
Lenght (mm)	2.660	2.490	2.530	2.500
Width (mm)	1.260 1.260 1.260 1.260			
Height (mm)	1.550		1.620	1.590
Wheelbase (mm)	1590			
Deck load dimensions (mm)	1.350 x 1.140*	1.190 x 1.140		
Load capacity volume (m²)	-			
Load capacity (kg)	205		185	175

* 1.200 for alloy drop sides version

Ape 50 – Short Deck

L2e – Homologation Class



Ape 50 – Long Deck



L2e – Homologation Class

Technical drawings showing dimensions for the Piaggio Ape 50 Long Deck truck:

- Side view: Total length 2660, wheelbase 1590, cargo bed length 805, height 1550, and a 40mm offset.
- Front view: Width 1260.
- Top view: Cargo bed length 1350, total length 1410, and side offsets of 30mm.

CASSONE CON SPONDE IN LAMIERA

a	1140 mm
b	1200 mm

CASSONE CON SPONDE IN LEGA LEGG.

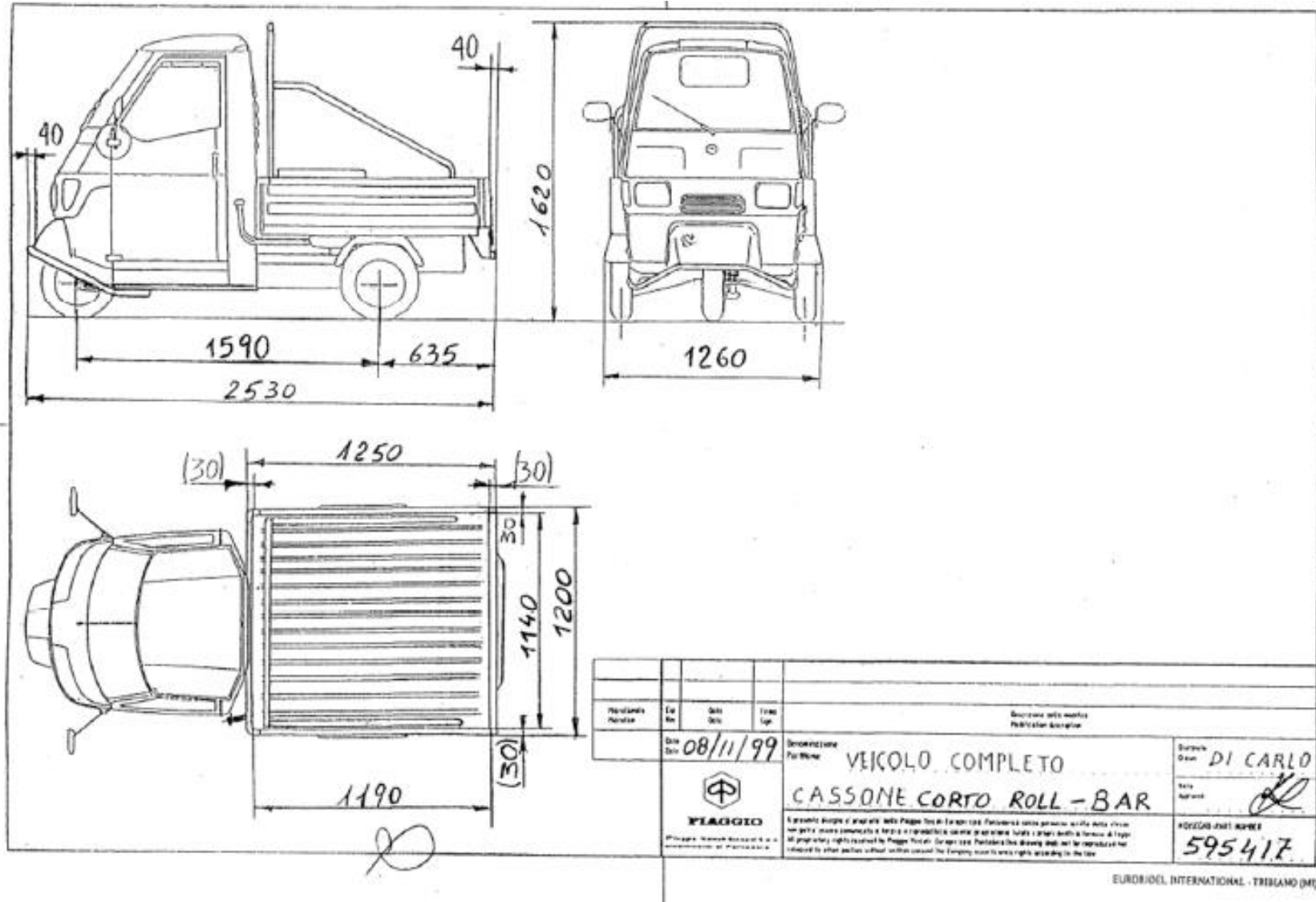
a ₁	1200
b ₁	1260

PIAGGIO

Modello Ape 50	Car. 50	Data 20/07/98	Descrizione Partibile	Autore DI CARLO
			VEICOLO COMPLETO CASSONE STANDARD	579188

Ape 50 - Cross

L2e – Homologation Class



L2e – Homologation Class

